

SUPPLEMENTARY MATERIAL

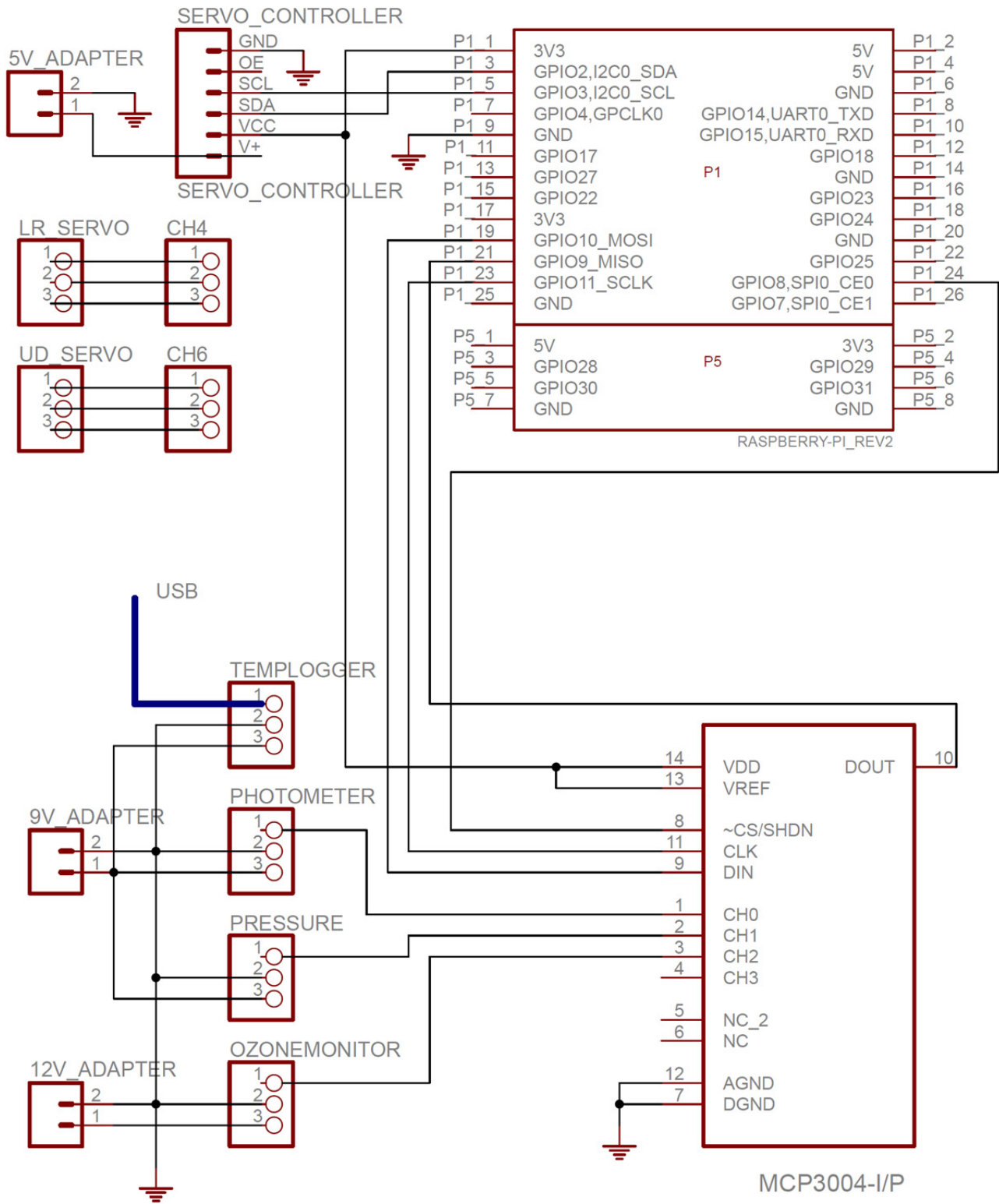


Fig. SI-1. Circuit Schematic showing Raspberry Pi General Purpose Input/Output (GPIO) pins, servo controller, power supplies, and sensor connections.